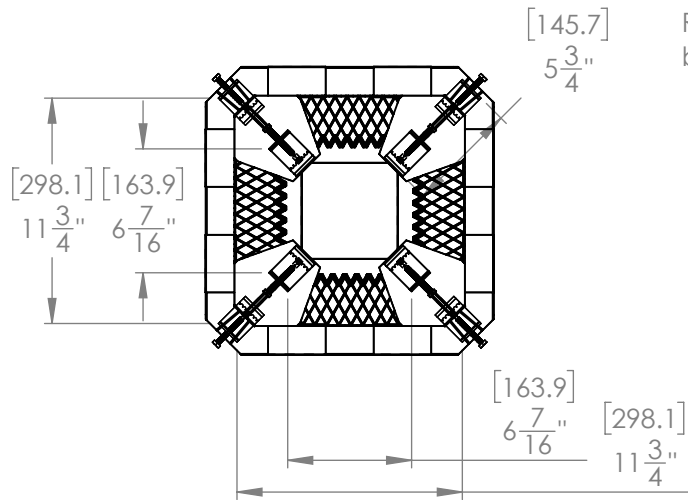


BRACKET SUB-ASSEMBLY
SCALE 1:5
Removed for packaging



Range of each
bracket

FOR REFERENCE ONLY

REVISION	DESCRIPTION :
00	BM0393 - Adjustable Chimney Cap (Small)

PROPRIETARY AND CONFIDENTIAL
THE INFORMATION CONTAINED IN THIS DRAWING IS THE SOLE PROPERTY OF Imperial Manufacturing Group. ANY REPRODUCTION IN PART OR AS A WHOLE WITHOUT THE WRITTEN PERMISSION OF Imperial Manufacturing Group IS PROHIBITED.

NAME	DATE	TITLE:
ER	10-Oct-2019	Adjustable Chimney Cap (Small)
UNLESS OTHERWISE SPECIFIED: DIMENSIONS ARE IN MM TOLERANCES: +/- .6mm +/- 1/16"		MATERIAL: Cold Rolled Steel
		FINISH: Painted Black
SIZE A	PART NO. BM0393	
SCALE: 1:10	DO NOT SCALE DRAWING	SHEET 1 OF 1

