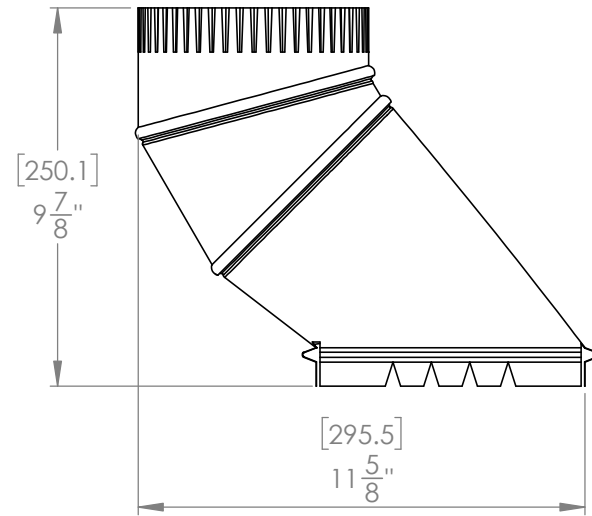
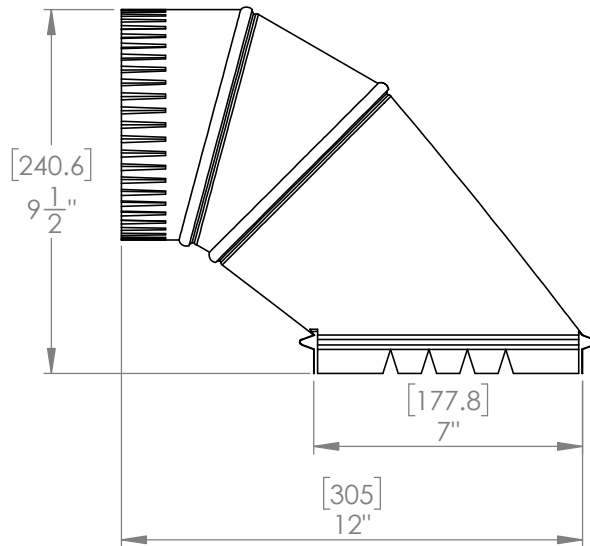


90 DEG POSITION



180 DEG POSITION

FOR REFERENCE ONLY

REVISION	DESCRIPTION :
00	6" Adjustable Take Off, 30ga Galvanized Steel

PROPRIETARY AND CONFIDENTIAL
THE INFORMATION CONTAINED IN THIS DRAWING IS THE SOLE PROPERTY OF Imperial Manufacturing Group. ANY REPRODUCTION IN PART OR AS A WHOLE WITHOUT THE WRITTEN PERMISSION OF Imperial Manufacturing Group IS PROHIBITED.

NAME		DATE		TITLE:	
DRAWN ER		2018-05-29		6" Adjustable Take Off, 30ga Galvanized Steel	
UNLESS OTHERWISE SPECIFIED: DIMENSIONS ARE IN MM TOLERANCES: +/-1.588mm +/- 1/16"				MATERIAL: Galvanized Steel	
				FINISH: Galvanized	
SIZE A		PART NO. GV0945			
SCALE: 1:5		DO NOT SCALE DRAWING		SHEET 1 OF 1	