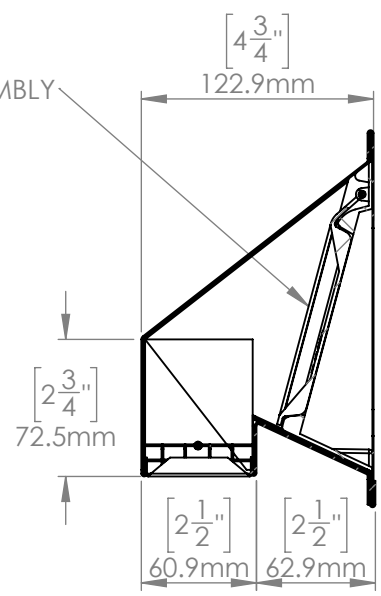
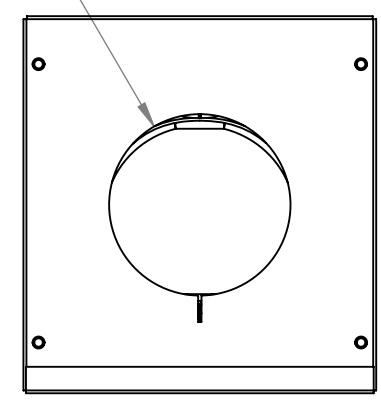
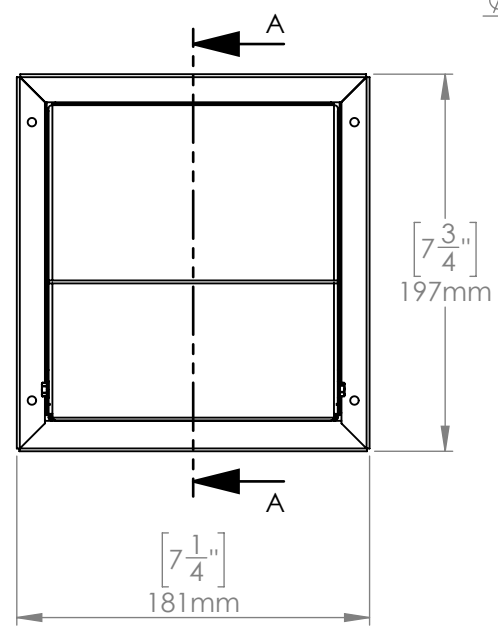


$[3\frac{3}{4}"]$
Ø96mm

VTW5443 - DAMPER ASSEMBLY



SECTION A-A



FOR REFERENCE ONLY

REVISION	DESCRIPTION :
00	4" R2 Exhaust Hood with Screen (no tail piece)

PROPRIETARY AND CONFIDENTIAL
THE INFORMATION CONTAINED IN THIS DRAWING IS THE SOLE PROPERTY OF Imperial Manufacturing Group. ANY REPRODUCTION IN PART OR AS A WHOLE WITHOUT THE WRITTEN PERMISSION OF Imperial Manufacturing Group IS PROHIBITED.

NAME	DATE	TITLE:
DRAWN FK	03-Oct-2019	4" R2 Exhaust Hood with Screen (no tail piece)
UNLESS OTHERWISE SPECIFIED: DIMENSIONS ARE IN MM TOLERANCES: +/- 0.127mm		MATERIAL: FINISH:
SIZE A	PART NO. TVT0008 VT0482, VT0482-A	SCALE: 1:4 DO NOT SCALE DRAWING SHEET 1 OF 1

