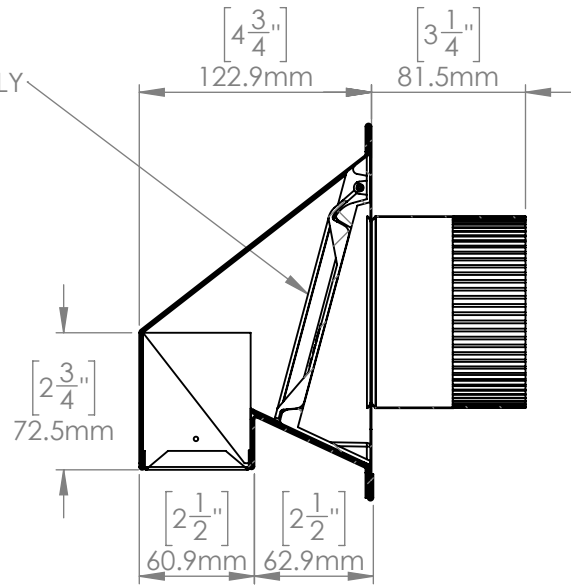
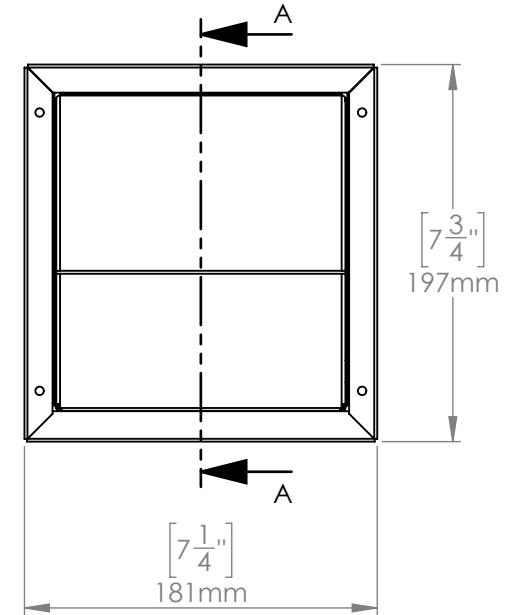


VTW5443 - DAMPER ASSEMBLY



SECTION A-A



FOR REFERENCE ONLY

REVISION	DESCRIPTION :
00	4" R2 Exhaust Hood with 3" Tail Piece

PROPRIETARY AND CONFIDENTIAL
THE INFORMATION CONTAINED IN THIS DRAWING IS THE SOLE PROPERTY OF Imperial Manufacturing Group. ANY REPRODUCTION IN PART OR AS A WHOLE WITHOUT THE WRITTEN PERMISSION OF Imperial Manufacturing Group IS PROHIBITED.

NAME	DATE	TITLE:
DRAWN FK	03-Oct-2019	4" R2 Exhaust Hood with 3" Tail Piece
UNLESS OTHERWISE SPECIFIED:		MATERIAL:
DIMENSIONS ARE IN MM		FINISH:
TOLERANCES: +/- 0.127mm		SIZE A
PART NO. TVT0009		VT0497, VT0497-A
SCALE: 1:4	DO NOT SCALE DRAWING	SHEET 1 OF 1

