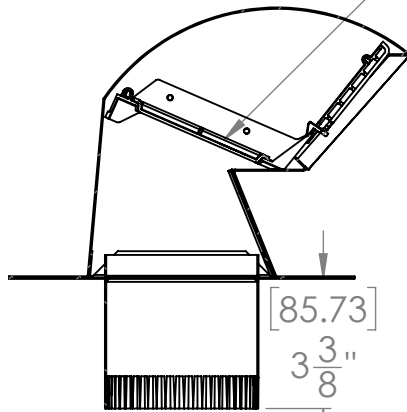
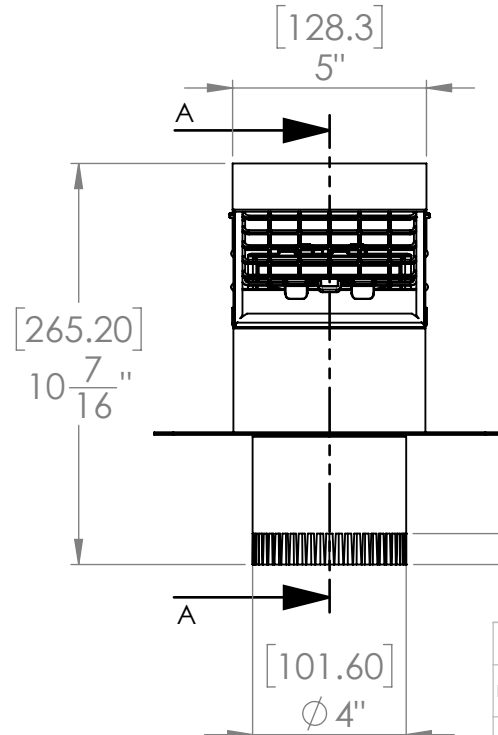


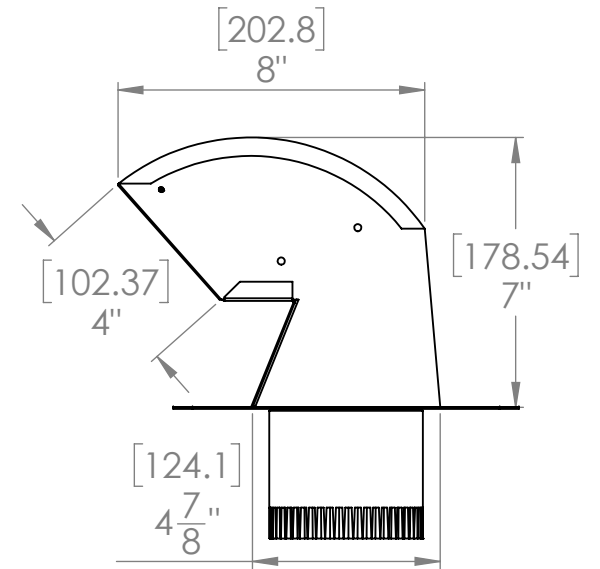
VTW5483 - DAMPER ASSEMBLY



SECTION A-A



**FOR REFERENCE ONLY**



	NAME	DATE	TITLE:	
DRAWN	ER	2019-10-04	Roof Exhaust, R2 Pro, 4"	
UNLESS OTHERWISE SPECIFIED: DIMENSIONS ARE IN MM TOLERANCES: +/- 1.588mm +/- 1/16"			MATERIAL: Galvanized Steel	FINISH: Painted - Black
SIZE <b>A</b>	PART NO. VT0640			
SCALE: 1:5	DO NOT SCALE DRAWING	SHEET 1 OF 1		

REVISION	DESCRIPTION :
00	Roof Exhaust, R2 Pro, 4"

PROPRIETARY AND CONFIDENTIAL  
THE INFORMATION CONTAINED IN THIS DRAWING IS THE SOLE PROPERTY OF Imperial Manufacturing Group. ANY REPRODUCTION  
IN PART OR AS A WHOLE WITHOUT THE WRITTEN PERMISSION OF Imperial Manufacturing Group IS PROHIBITED.

